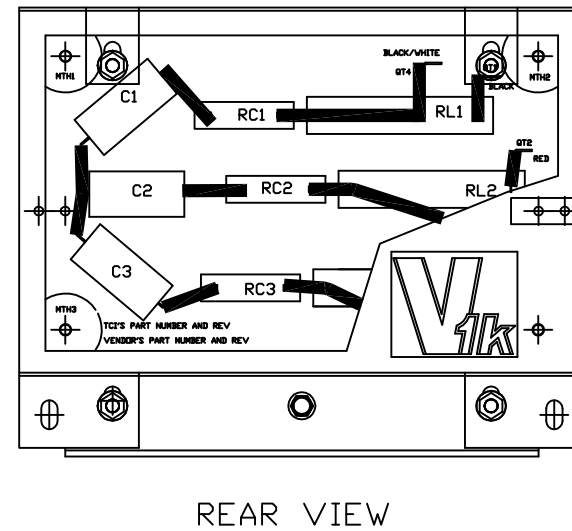
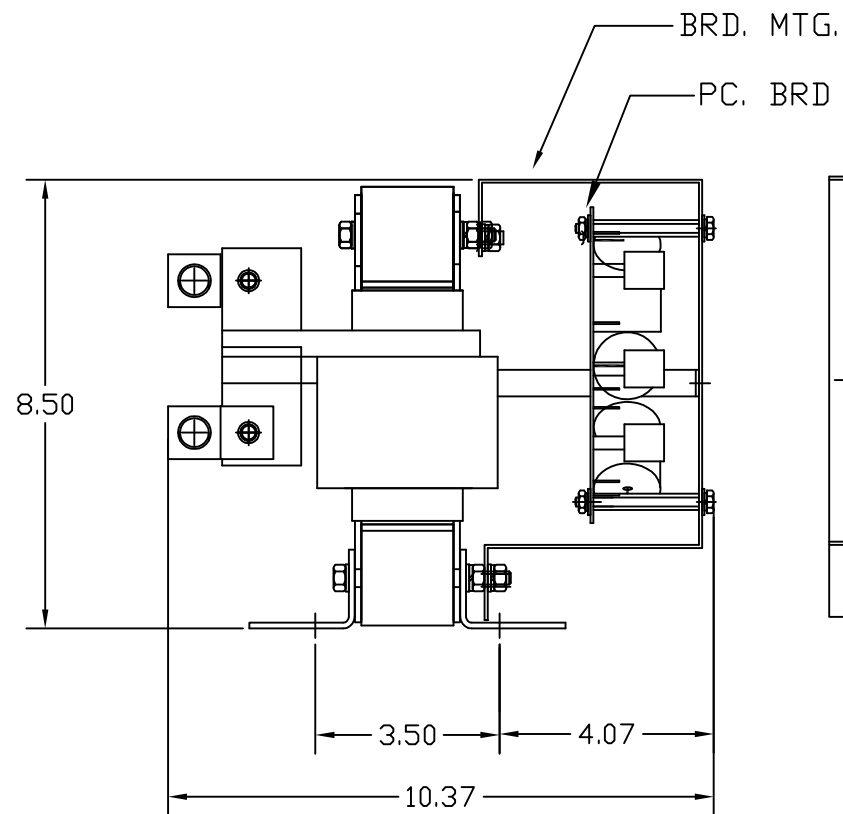
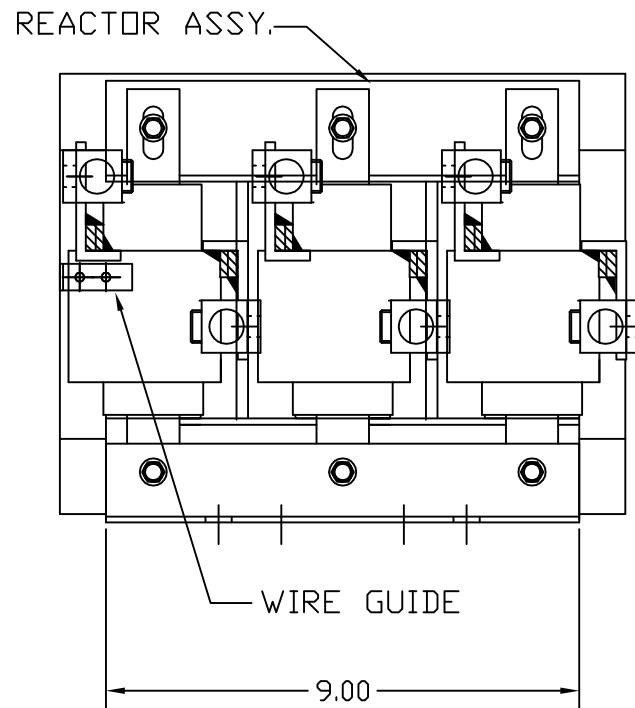
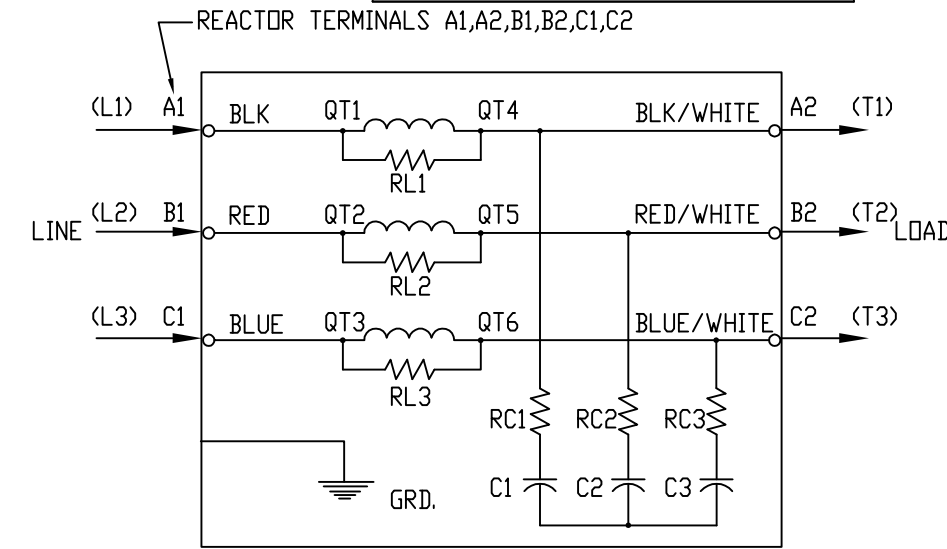


SPECIFICATIONS:	
AMP.	160
VOLT	240-600
PHASE	3
HZ	60
WEIGHT, LBS.	60
OPEN VERSION	



REACTOR AND BOARD ASSEMBLY CONNECTIONS

TOLERANCE UNLESS OTHERWISE NOTED:	
MOUNTING	+/- .06
OVERALL	+/- .12

"SEE V1K INSTALLATION GUIDE FOR TERMINAL WIRE SIZE AND TORQUE"

CUSTOMER IS RESPONSIBLE FOR INSTALLATION TO MEET ALL NATIONAL AND LOCAL ELECTRICAL CODES.

TCL, LLC CLAIMS PROPRIETARY RIGHTS IN THE MATERIAL HEREIN DISCLOSED. IT IS SUPPLIED WITHOUT PREDJUDICE TO ANY PATENT RIGHTS OF TCL AND MAY NOT BE REPRODUCED OR USED TO MANUFACTURE ANYTHING SHOWN THEREIN WITHOUT WRITTEN PERMISSION FROM TCL.

NO	REVISION	DATE	BY
3216	ADD SEE GUIDE	10/29/14	DSW

	W132 N10611 GRANT DRIVE GERMANTOWN, WI 53022	
	V1K160A00, OUTPUT FILTER 160 AMP, OPEN VERSION	
DRN. BY	DATE	DWG. NO.
RJC	5/20/05	102652DG
SCALE	SIZE	
NONE	B	SHT.1 OF1

TOLERANCES (EXCEPT AS NOTED)
DECIMAL
.XX ±.03
.XXX±.01
FRACTIONAL
± 1/32
ANGULAR
± 1/2°